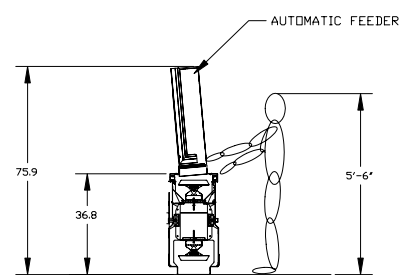
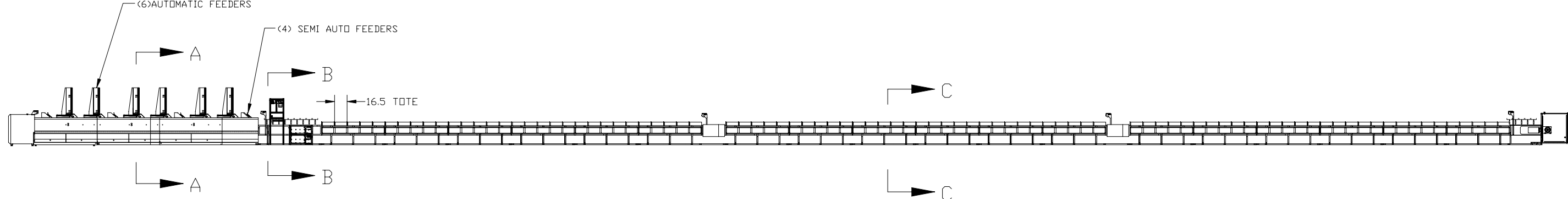
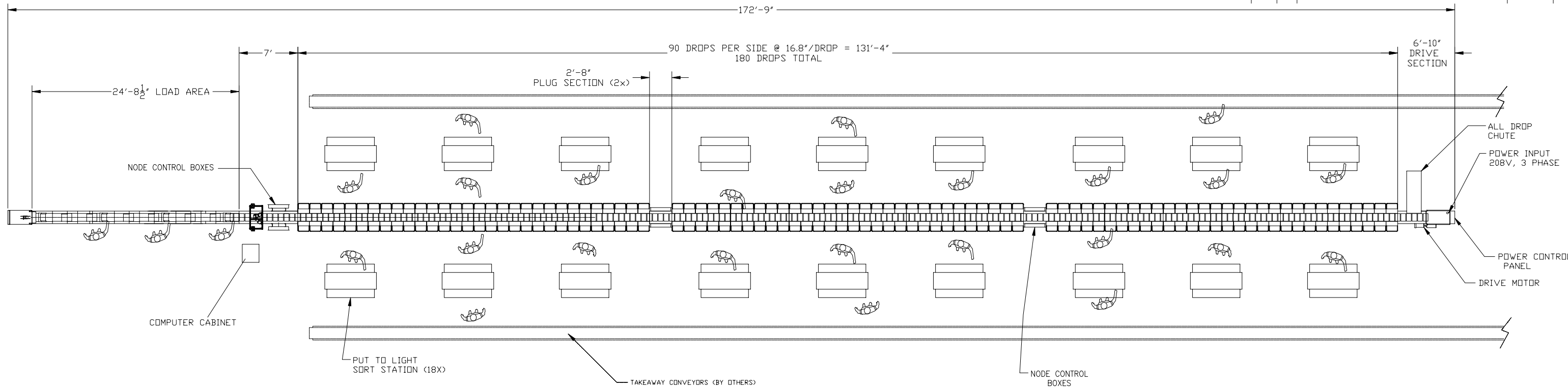
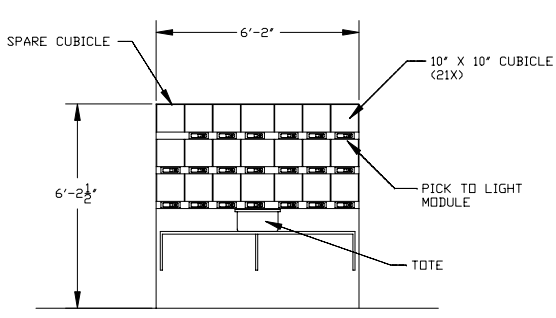


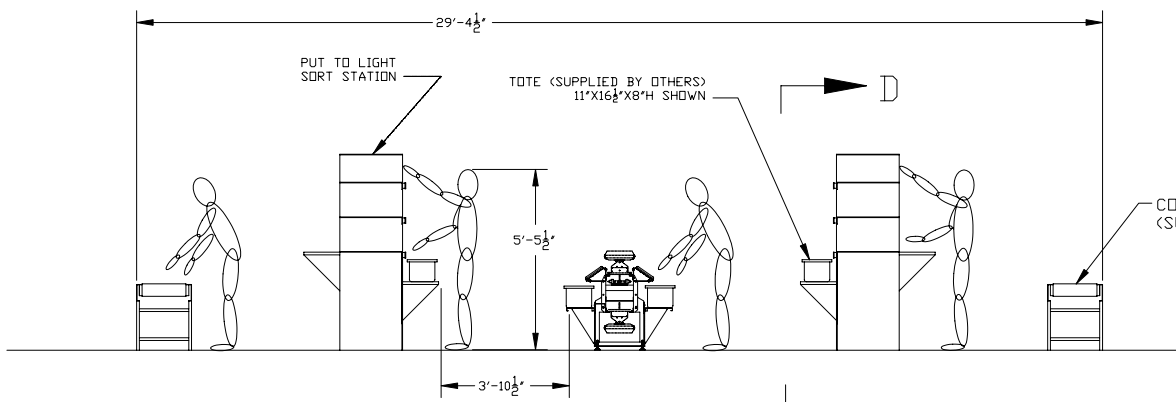
ZONE	LTR	REVISION DESCRIPTION	DATE	APPROVED
-	-	-	-	-



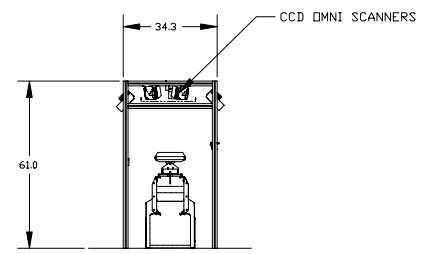
A-A
LOAD SECTION



D-D
SUGGESTED
PUT TO LIGHT SORTSTATION



C-C
DROP/SORT SECTION



B-B
SCANNER SECTION

THREE (3) ORDER FULFILLMENT SORTER SYSTEMS TO THE FOLLOWING TYPICAL SPECIFICATIONS

- SORT RATE: 12,000 TRAYS PER HOUR
- BELT SPEED: 133 FEET PER MINUTE
- TRAYS: 11' X 7' ON 8" CENTERS
- DROPS: 180 DROPS, 90 PER SIDE
- FEEDERS: 6 AUTOMATIC, 4 SEMI AUTOMATIC
- 2ND SORT STATIONS: 18 (9 PER SIDE)
- PICK TO LIGHT MODULES: 360
- ELECTRIC: 208V, 3PH, 5 WIRE, 25A
- AIR: 0.6 SCFM @ 80 P.S.I CLEAN DRY COMPRESSED AIR

UNLESS OTHERWISE SPECIFIED DIMENSIONS ARE IN INCHES TOLERANCES ARE:
 FRACTIONS DECIMALS ANGLES
 ± 1/16 .XX± .03 ± 1/2°
 .XXX± .010

DFORM 10-25-00

GBI DATA AND SORTING SYSTEMS, INC

APPROVALS	DATE
DRAWN TJ MUCHA	07/11/06
CHECKED -	-

INTERNET MODEL
ORDER FULFILLMENT
SORTER

MATERIAL	-
FINISH	-
NEXT ASSY	USED ON
APPLICATION	DO NOT SCALE DRAWING

This drawing is the property of GBI DATA AND SORTING SYSTEMS, INC and is issued for the express purpose of complying with instructions printed thereon, and is not to be reproduced or copied, in whole or in part. It is a confidential document, to be used discreetly, and in no way to the disadvantage or detriment of GBI DATA AND SORTING SYSTEMS, INC. This drawing is subject to recall.

SIZE	CODE IDENT	DRAWING NO.	REV.
D		07112006	-
SCALE	76:1	FILE:	-
			SHEET 1 OF 1